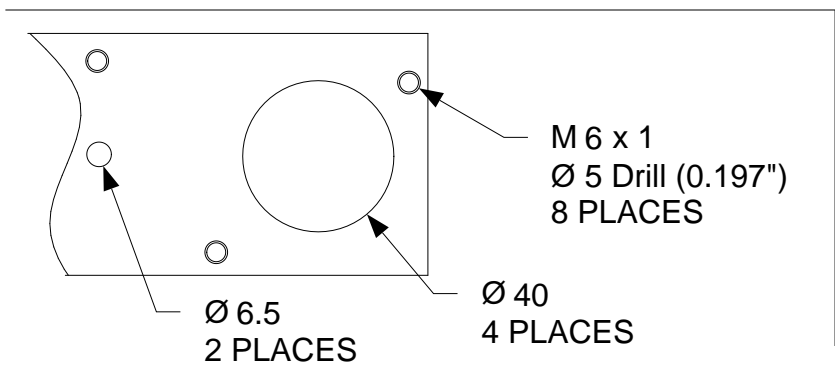
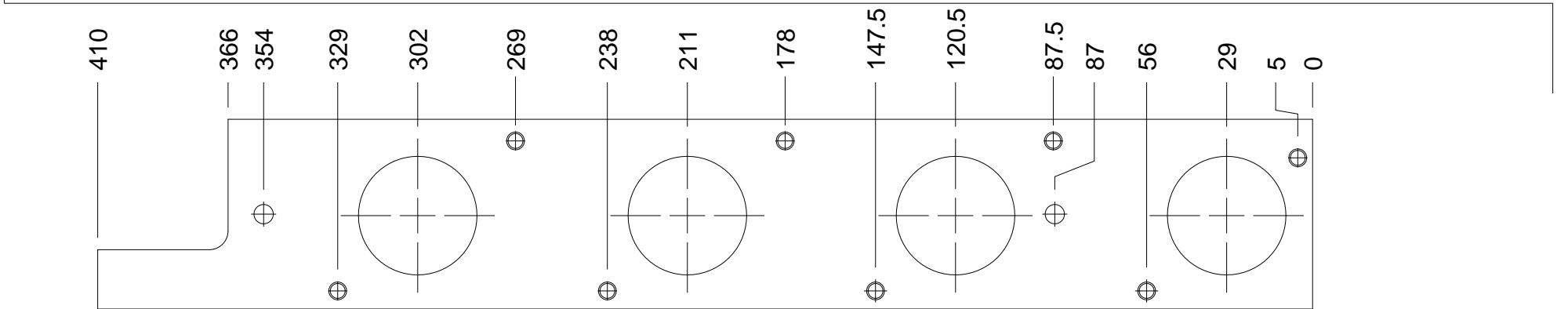
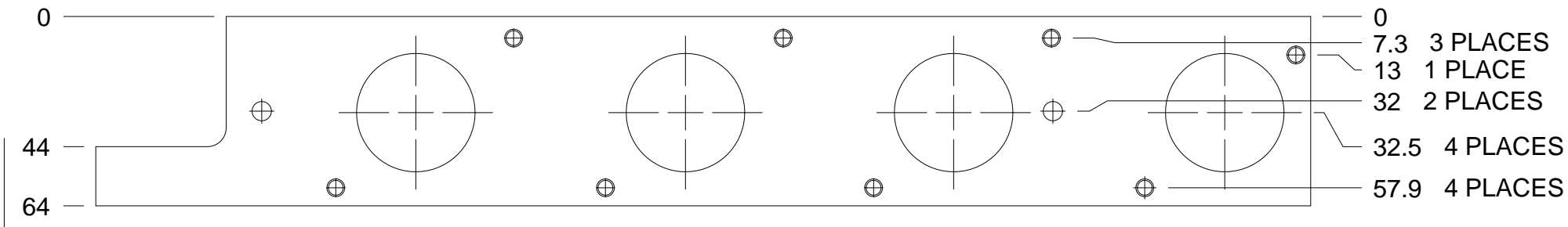


REVISION HISTORY		
REV	DESCRIPTION	DATE
A1	Changed title and dimension layout	8/10/07



Notes:

- 1) Material is 3" x 3/16" aluminum flat bar.
- 2) All units are in mm unless otherwise noted.
- 3) All tolerances are $\pm 0.25\text{mm}$.

TITLE		
M42 COP Plate		
SIZE A	SCALE 1:2	SHEET 1 of 1
		REV A1